

SMART ELECTROFUSION FITTINGS

Compact fittings with integrated heating coils designed specifically for pressure class-conform applications.



A game-changer in the realm of pipeline technology

ELECTROFUSION FITTINGS: INNOVATION MEETS RELIABILITY.



+ Dimensions up to d 1400 mm

+ Individually positionable outlets

+ Various materials
(e.g. PE100, PE100-RC, PE-RT, PP)

+ Pressure-class conform

+ Full-featured solution development

+ Various SDR classes
(e.g. SDR 7,4 / 9 / 11 / 17 / 26 / 33)

Efficiency in confined environments

ELECTROFUSION FITTINGS



Compact Design

STAR electrofusion fittings are engineered with a compact design, making them ideal for use in tight spaces and challenging construction sites. Their design ensures easy handling, even in cramped conditions.



Precision Engineering

Electrofusion fittings offer unparalleled precision, due to its machined manufacturing process. They ensure tight tolerances and seamless integration within existing pipeline systems, resulting in superior performance and reliability.



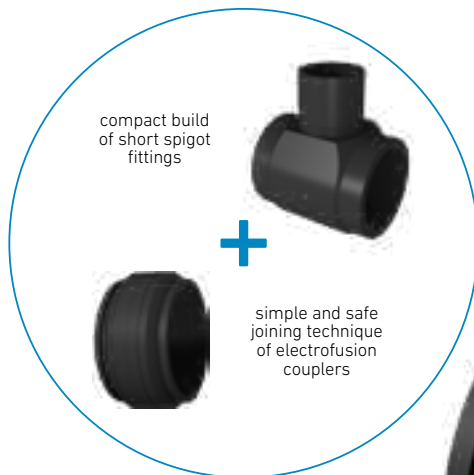
Integrated heating coils

Thanks to the embedded heating coils, you ensure safe pipe insertion and optimal bridging of gaps. The integrated heating coils streamline the welding process, reducing the number of welds required and saving valuable time on-site.



Consistent Quality

Through advanced machining techniques, machined electrofusion fittings maintain consistent quality and dimensional accuracy, minimizing the risk of defects and ensuring long-term operational reliability.



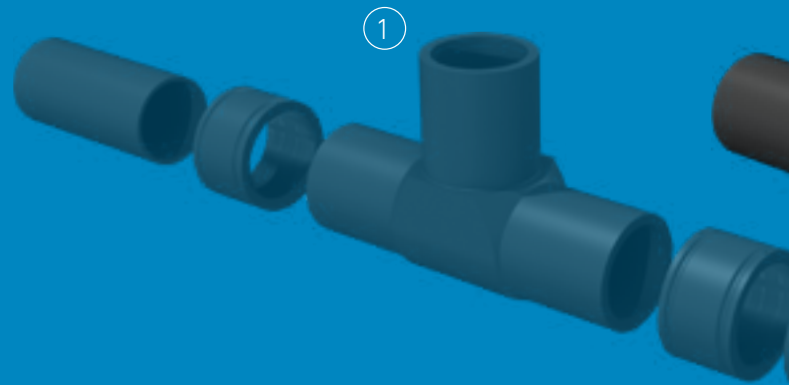
- ① Universal weldable
e.g. with our HST 300 Print + 2.0 or HST 300 Pricon 2.0
- ② Integrated heating coils
- ③ Machined fitting

Electrofuion fittings reduce welding joints by up to 50 percent

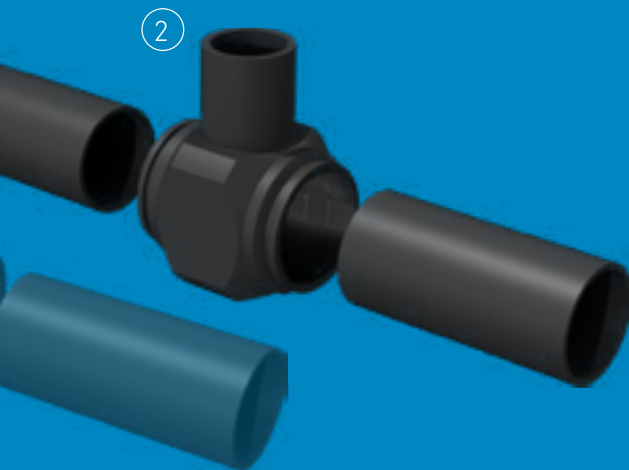
ENHANCING PIPELINE SAFETY

In any pipeline network, ensuring safety at connection points is crucial. STAR electrofusion fittings enhance this safety by reducing the number of critical points through a decrease in welding joints by up to 50 percent.

This reduction in component parts (one electrofusion fitting instead of two couplers plus a spigot fitting) not only conserves resources but also offers a direct cost advantage.



Practical example dimension d 500 mm



	① Tee long spigot fitting	② Tee electrofusion fitting	Savings ① vs. ②
Components	3	1	-66%
Peeling process	4	2	-50%
Welds	4	2	-50%



Safe

The number of welds can be reduced up to 50%



Easy

Only one component is needed, so the handling is much easier



Price advantages

The number of required components and welds can be reduced



Flexibility

Space-saving installation due to compact design. Special sizes on request



Time savings

Due to the reduced number of welds, the installation time can be reduced up to 50 %



Sustainability

Compared to conventional joining techniques, less material is needed

Reliable Performance Under High Pressure

ELECTROFUSION FITTINGS

When it comes to applications requiring high-pressure performance, STAR electrofusion fittings deliver reliability. They are engineered to handle high-pressure demands.

Manufactured in compliance with stringent standards such as DIN EN 12201-3 and DIN EN 1555-3, these fittings are engineered to withstand the toughest operating conditions.



High-pressure



Time saving



Corrosion resistance



Stress cracking resistance

Universal Compatibility for

FAST AND EASY INSTALLATION

Compatibility is key when it comes to choosing electrofusion fittings. That's why STAR electrofusion fittings are designed to be compatible with all universal electrofusion units, ensuring hassle-free integration into your existing infrastructure.

Whether you choose our fittings or our specialized electrofusion units, such as the HST 300 Print + 2.0 or HST 300 Pricon 2.0, you can count on seamless compatibility and reliable performance.



Dimensional flexibility



Lightweight design



Cost-effective installation



Secure connections



Customized electrofusion tee

d 710/355 mm, SDR 17

Application:

Renovation of a pressure pipeline

DELIVERY PROGRAMM

	Dimensions	SDR-classes							Material			
		SDR33	SDR26	SDR21	SDR17	SDR13,6	SDR11	SDR9	SDR7,4	PE100	PE100-RC	other on request
Coupler												
Tee	d 20 - 1400 mm	●	●	●	●	●	●	●	●	●	●	●
Reducer	d 20 - 1200 mm	●	●	●	●	●	●	●	●	●	●	●
Endcap	d 25 - 1400 mm	●	●	●	●	●	●	●	●	●	●	●
Stub end	d 20 - 355 mm	●	●	●	●	●	●	●	●	●	●	●
Valve flange	d 250 - 1200 mm	●	●	●	●	●	●	●	●	●	●	●
Elbow	d 250 - 800 mm	●	●	●	●	●	●	●	●	●	●	●
Seamless bend	d 32 - 250 mm	●	●	●	●	●	●	●	●	●	●	●
Concrete shaft adapter	d 250 - 900 mm				●	●	●	●	●	●	●	●
	d 110 - 1200 mm				●	●	●	●	●	●	●	●



Customized solutions on request



Product database

Solutions you trust

THAT'S WHY STAR PIPING SYSTEMS

+ Personal advisory service

+ In-house engineering

+ Provision of planning data

+ Custom components and prefabrication

+ Comprehensive product portfolio

+ Dimensions up to d 2500 mm

+ Product expertise and technology



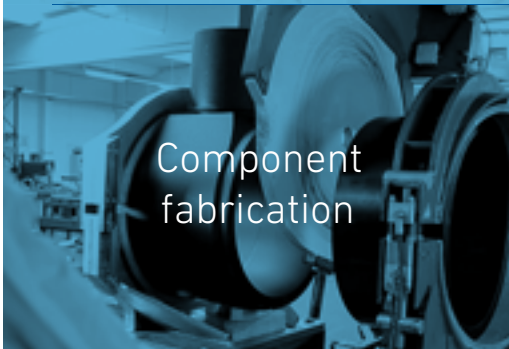
Material
testing



Extrusion
technology



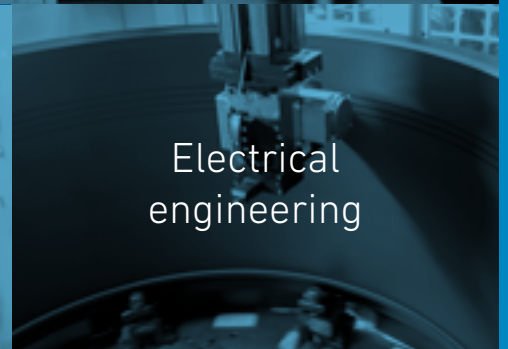
Cutting
department



Component
fabrication



Machining
technology



Electrical
engineering

STAR Piping Systems GmbH
Am Schornacker 90
46485 Wesel, Germany

www.star.de.com
info@star.de.com
+49281 98414-0

@starpipingsystems



04/2024