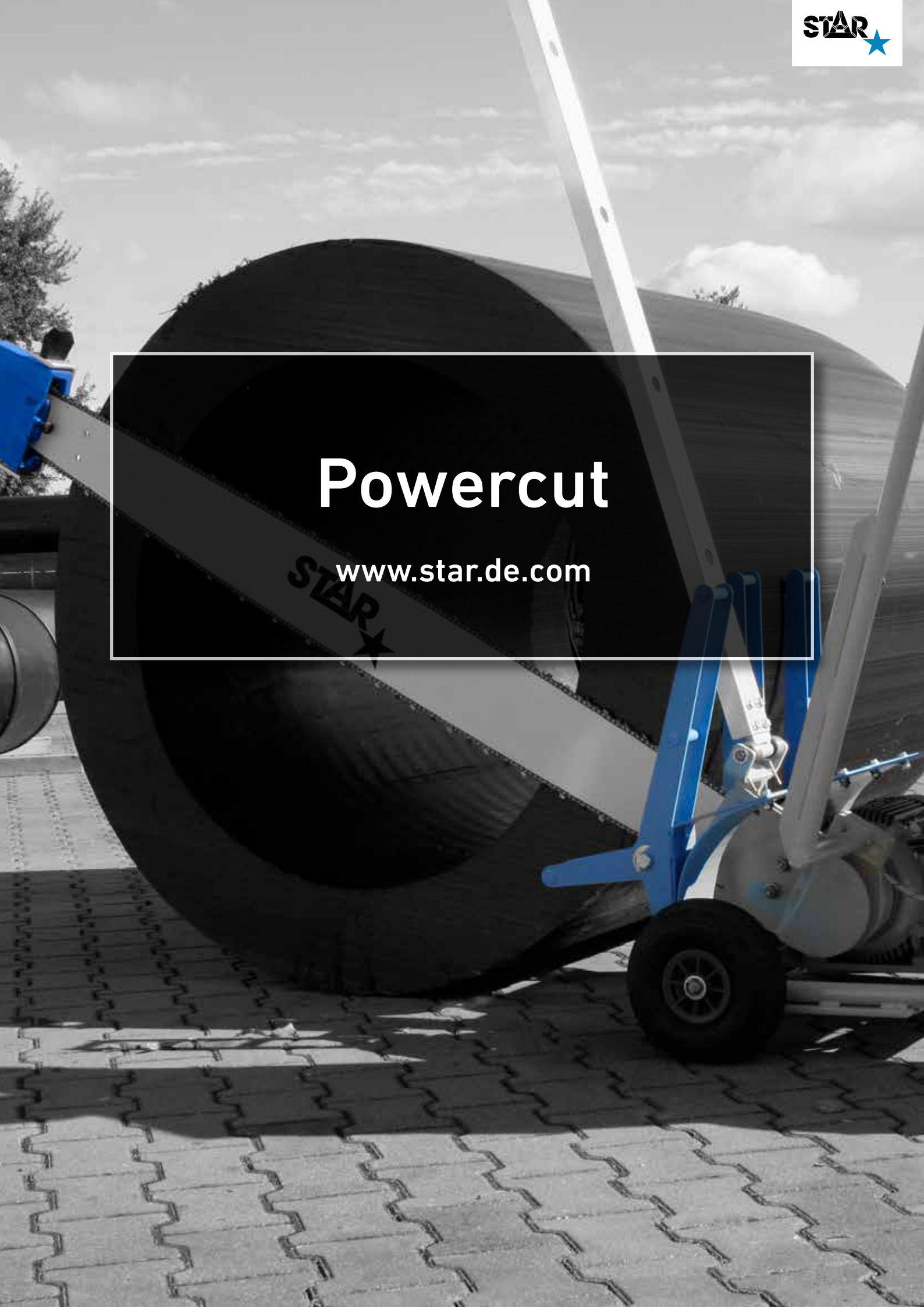


Powercut

www.star.de.com





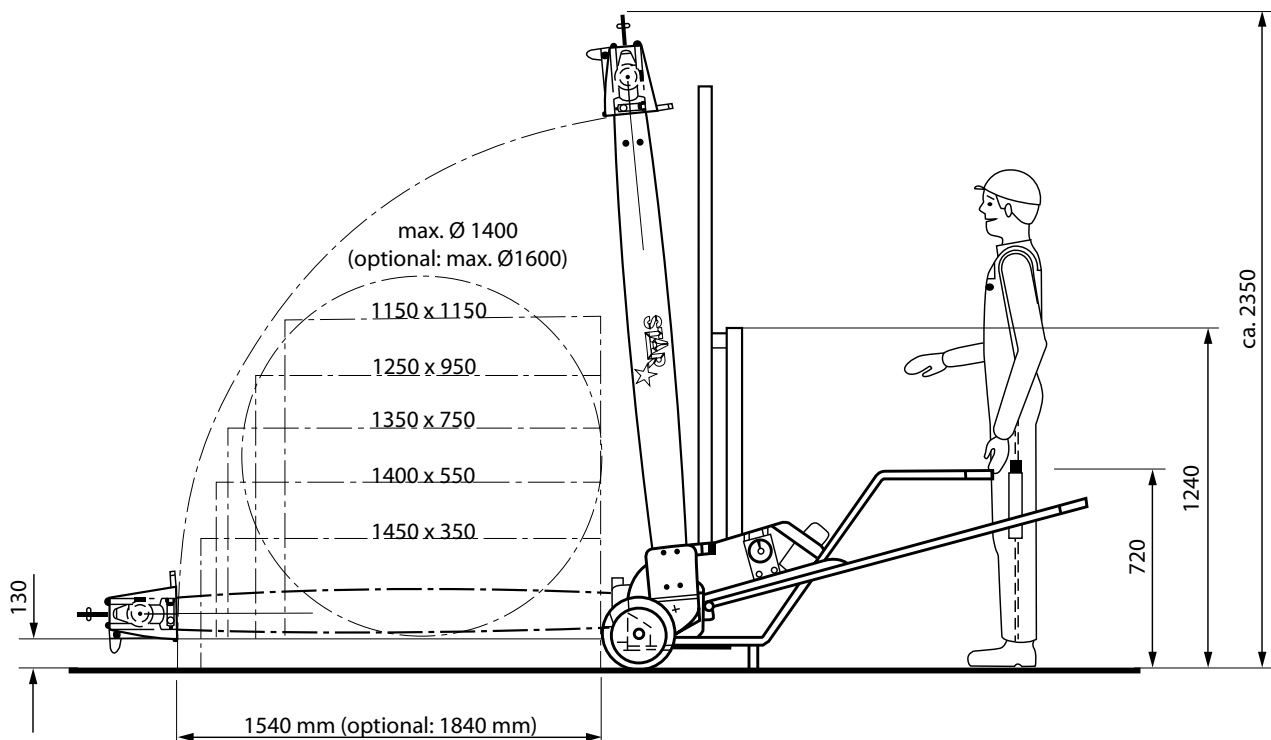
Powercut | suitable for dimensions up to d 1400 mm

Powercut

Handy, precise and flexible in use - that is the STAR POWERCUT. The cutting assembly with STIHL-chain 0.404" for extreme smooth surfaces and cuts with narrow cutting kerf provides a lot of advantages.

- higher cutting performances by faster chain speed and less cutting time
- less sawdust
- optimal price-performance ratio
- flexibility of usage

Technical specification



1. Cutting assembly with 6 mm thick completely stellite armoured guide bar and STIHL-0.404" chipper chain.



2. Separate drive for lubrication oil pump - this guarantees a constant lubrication under all conditions. Lubricant tank sufficient for approx. 4 h operation time.



3. Simple chain replacement without additional tools.

4. Light execution, modern design. Suitable for cross sections of 1.15 m x 1.15 m.



5. Easy handling and low power requirement during cutting process. Pneumatic tires and 3-fold machine supports guarantee exact positioning and an angularly cut - under nearly any circumstances. Available with pneumatic tires or solid tires.

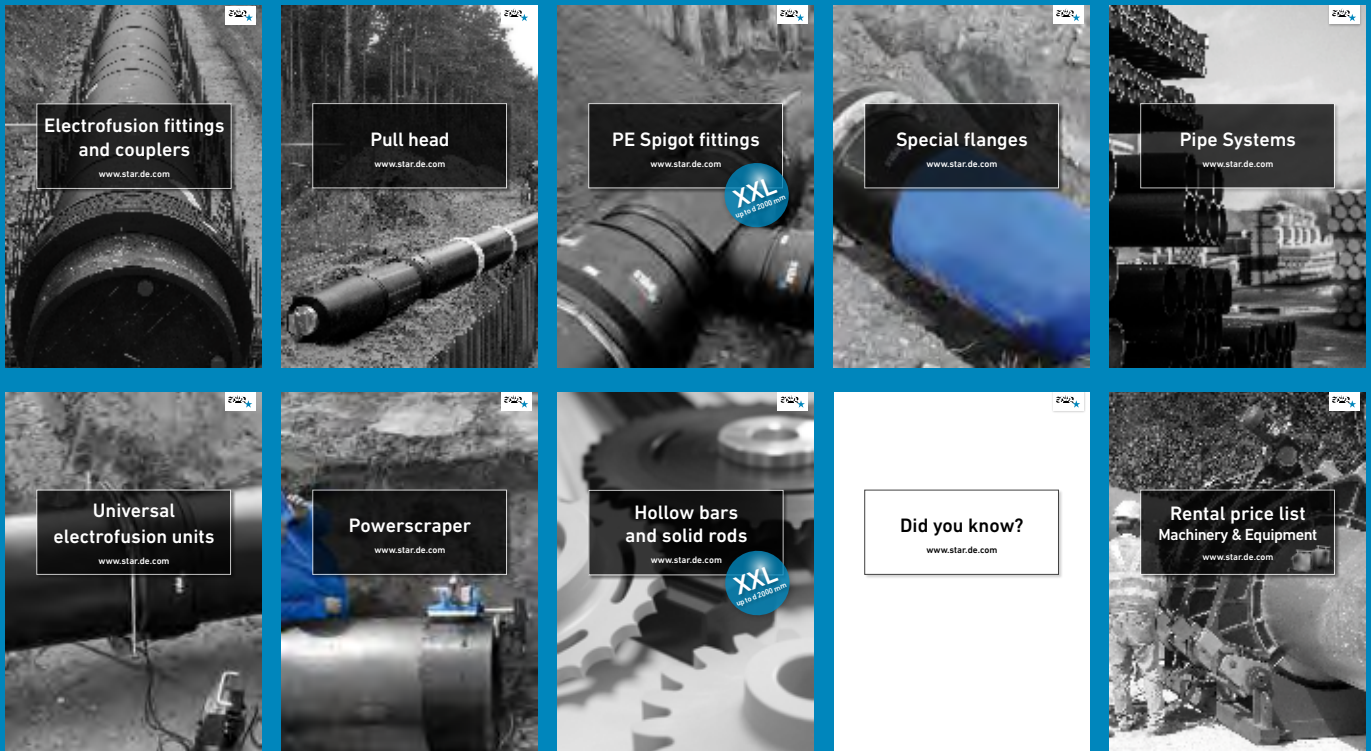
6. Suitable for cutting logs, paper reels etc., too.



View all machines from STAR:
Click here for our online database



! Optionally we may supply the saw with a blade length of 1900 mm.



We provide you with high-quality and efficient solutions for applications in supply and disposal.

In addition to our high-quality standard and special fittings, seamless bends, electrofusion fittings, pipes and hollow bars and solid rods, we also offer suitable welding equipment for joining and welding technique.

Our extensive product range gives you the possibility to obtain every-thing from a single source and for almost every building project.

See for yourself.

STAR Piping Systems GmbH

Am Schornacker 90, 46485 Wesel
Deutschland

Tel.: + 49 281 - 9 84 14 - 0

Fax: + 49 281 - 9 84 14 - 48

www.star.de.com