

Electrofusion concrete shaft adapter

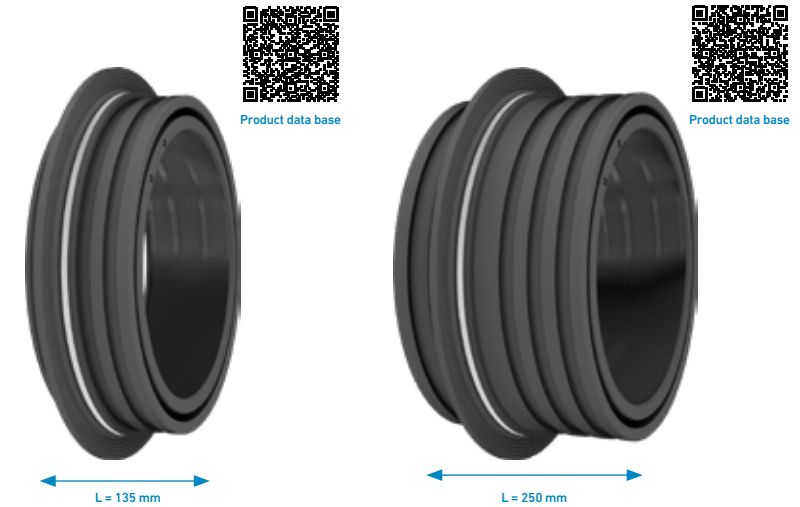
www.star.de.com





Product range:

Material	PE100-RC
Dimensions	d 110 - 1000 mm others upon request
Overall length	L = 135 mm L = 250 mm bespoke lengths are possible
Products without angular compensation and/or pipe stop are available upon request.	



EF concrete shaft adapter for permanently leakproof shaft connections

As a result of their special component geometry, STAR EF concrete shaft adapters comply with the required angular deflection of $\pm 3^\circ$ and consequently withstand the varying subsidence behaviors between shaft and pipe without any problem.

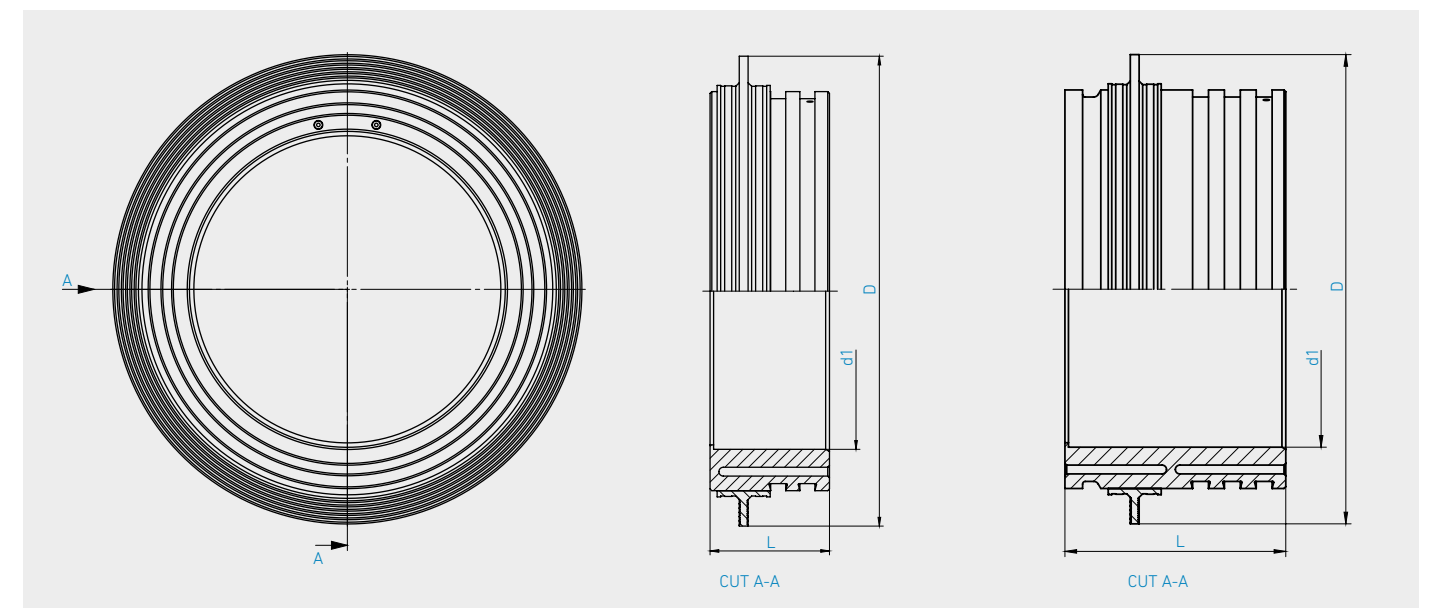
A fully welded coupling is established thanks to the design including electro fusion heating coils. Apart from the backed off anchoring bars for a firm fit, the additionally mounted EPDM collar seal produces an excellent impermeability.

Connections to concrete shafts acc. to DIN 4034-1

The EF concrete shaft adapter is usually firmly cast into the shaft by the concrete poured into it. On the installation site the pipeline can be slid directly in into the EF concrete shaft adapter and be firmly welded without the need of any further component.

Barcode for fully automated welding

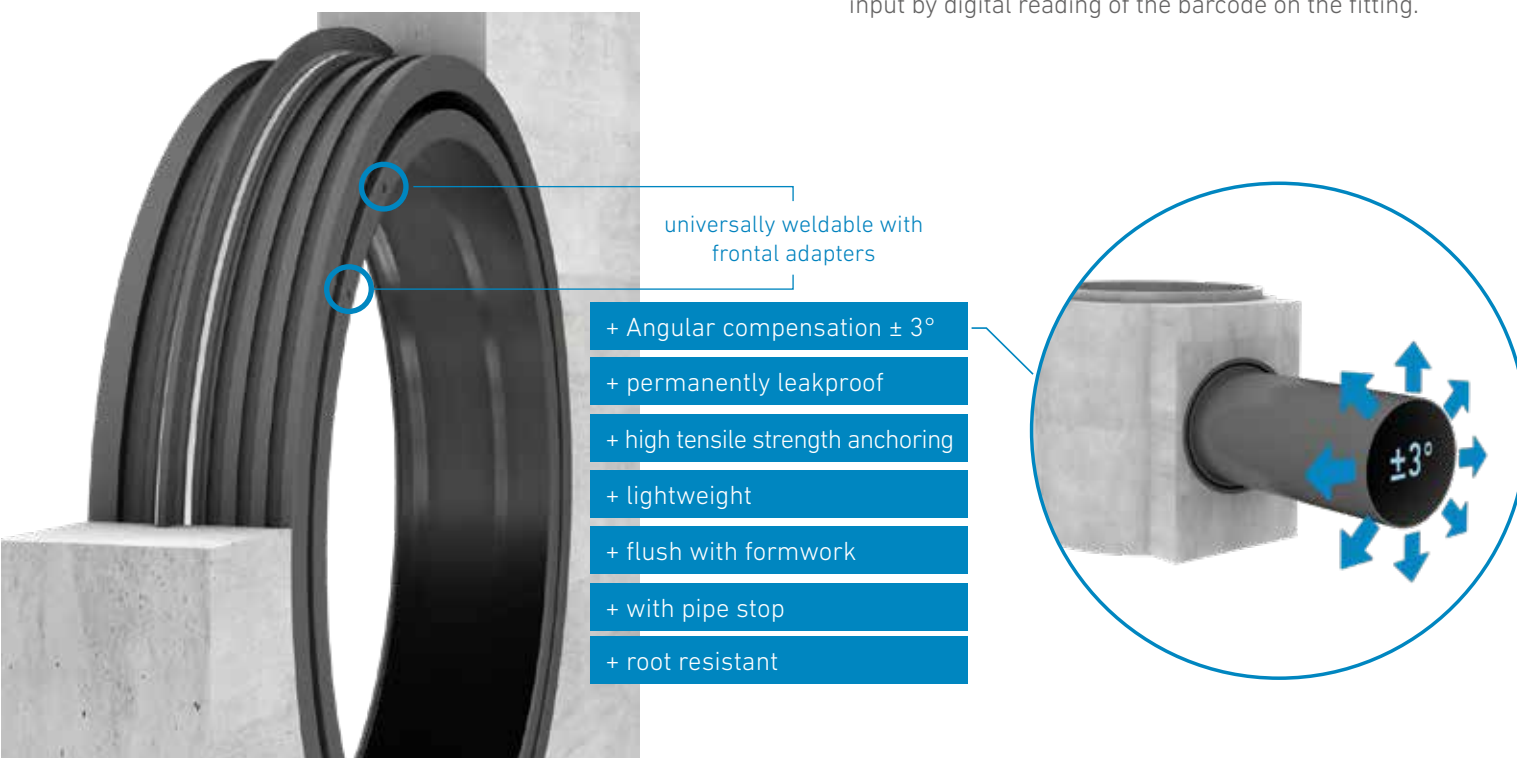
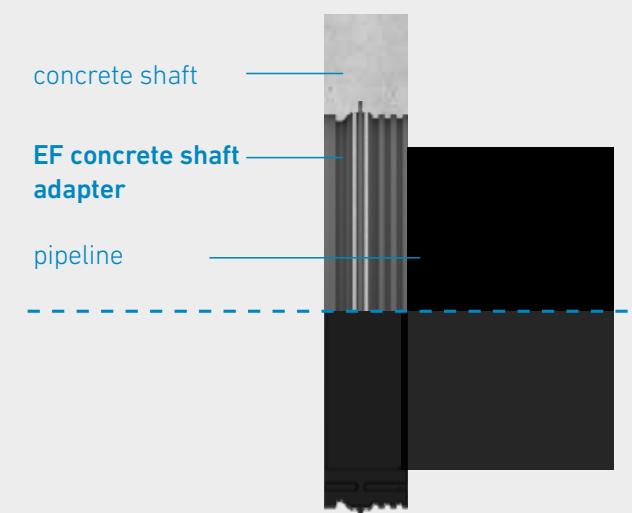
The welding can be done comfortably with any universal electro fusion welding machine thanks to the integrated heating coils. The necessary welding parameters can be input by digital reading of the barcode on the fitting.



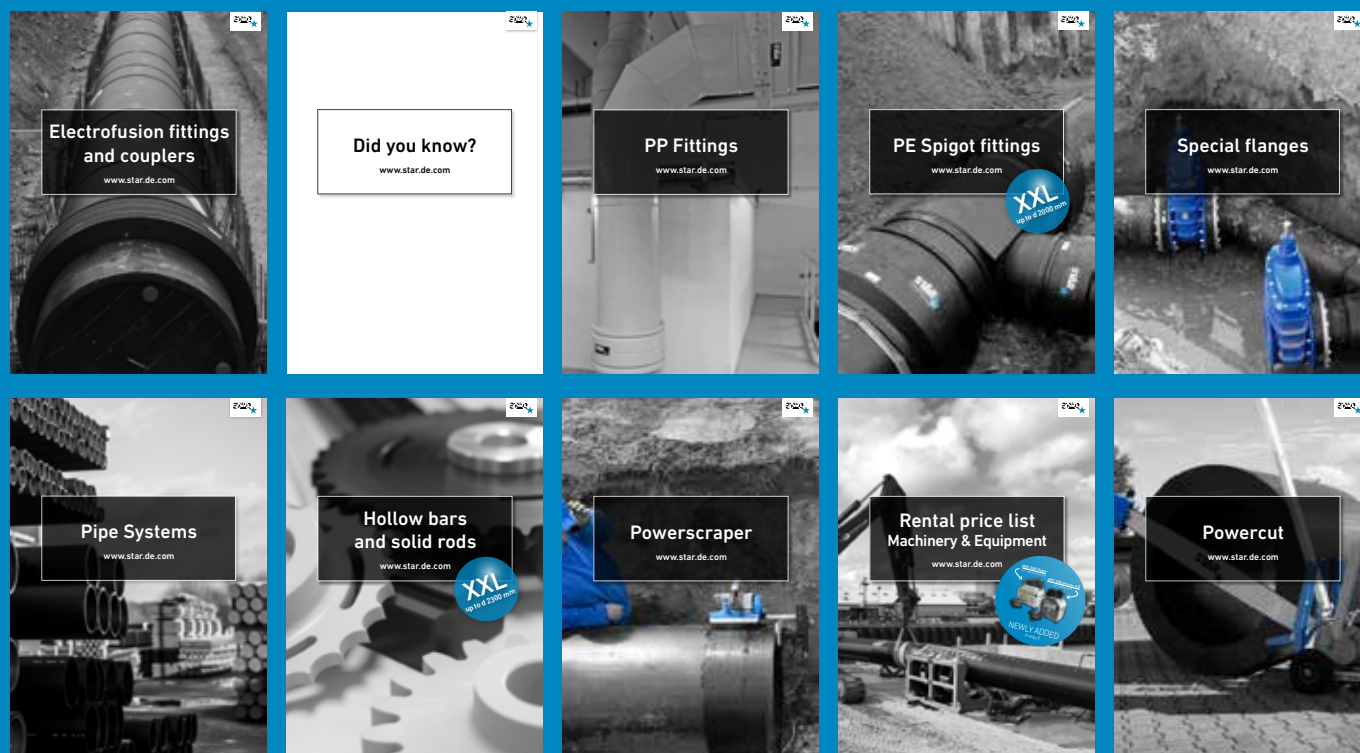
Fast. Simple. Safe.

STAR EF concrete shaft adapters offer a simple and secure solution for the connection of pressureless PEHD sewage pipes to pre-fabricated chambers made of concrete.

And the best:
You only need one component!



Mehr von uns :



We provide you with high-quality and efficient solutions for applications in supply and disposal.

In addition to our high-quality standard and special fittings, seamless bends, electrofusion fittings, pipes and hollow bars and solid rods, we also offer suitable welding equipment for joining and welding technique.

Our extensive product range gives you the possibility to obtain every-thing from a single source and for almost every building project.

See for yourself.

STAR Piping Systems GmbH

Am Schornacker 90, 46485 Wesel
Germany

Tel.: + 49 281 - 9 84 14 - 0

www.star.de.com